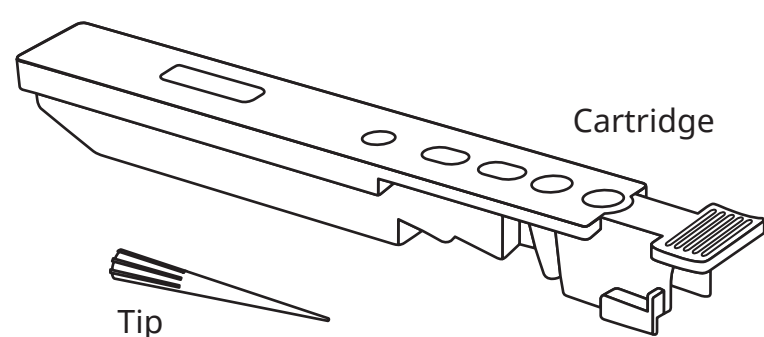


# PCT Plus

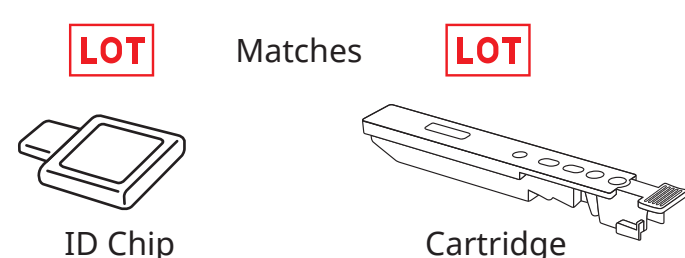
# AFIAS

## TEST SETUP

**1** Check the components of the AFIAS as described below.

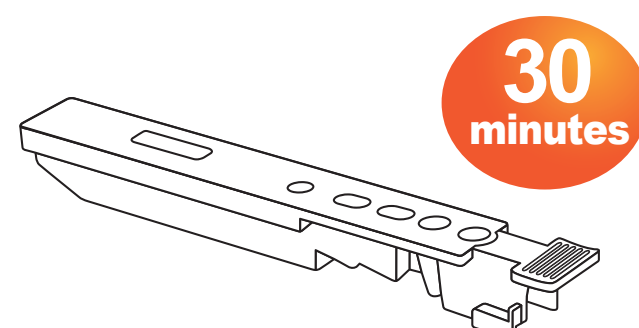


Ensure that the lot number of the cartridge matches that on the ID chip.

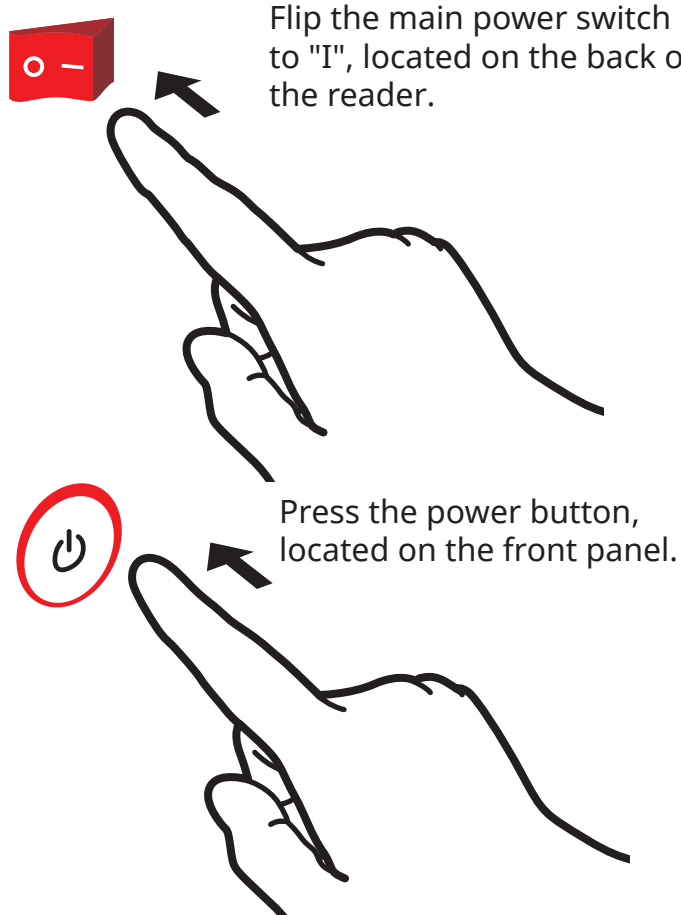


**2** Leave the sealed cartridge (if stored in the refrigerator) at room temperature for at least 30 minutes before use.

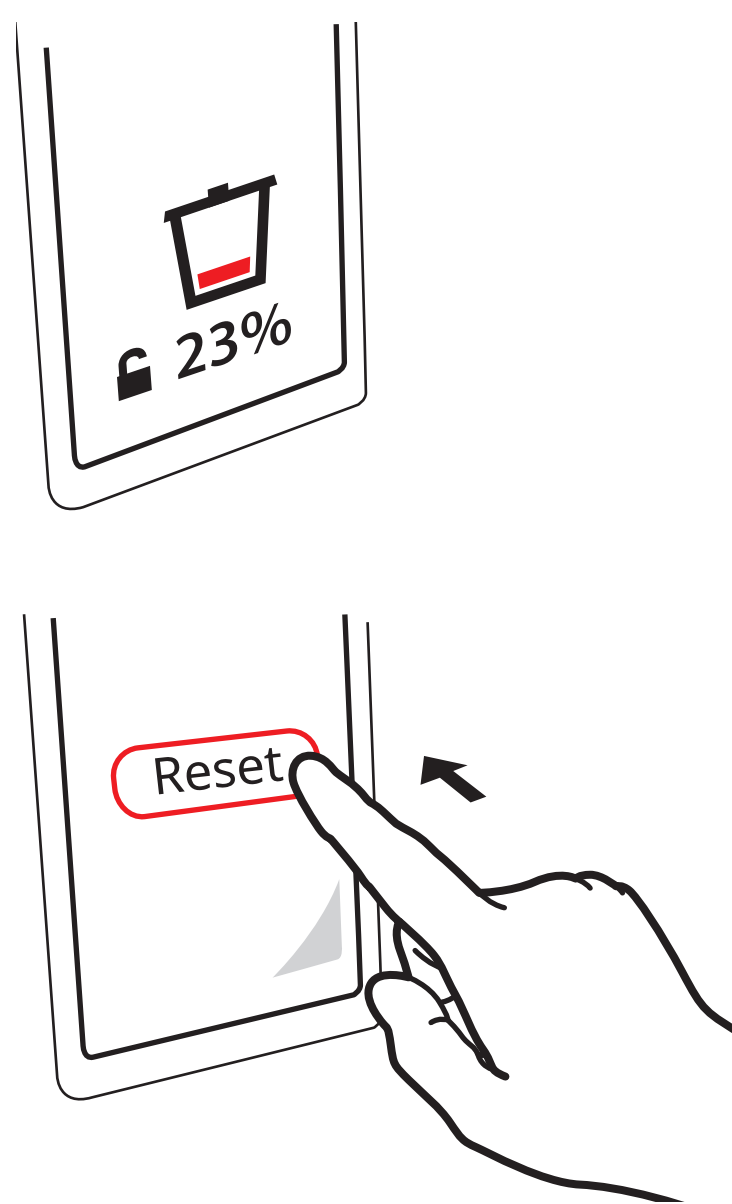
Place the cartridge on a clean, dust-free and flat surface.



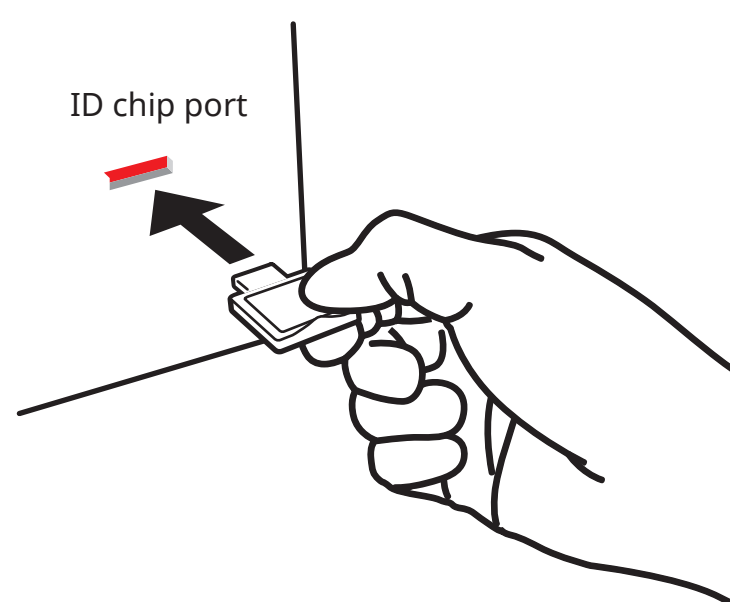
**3** Turn on the power. Flip the main power switch to "I", located on the back of the reader.



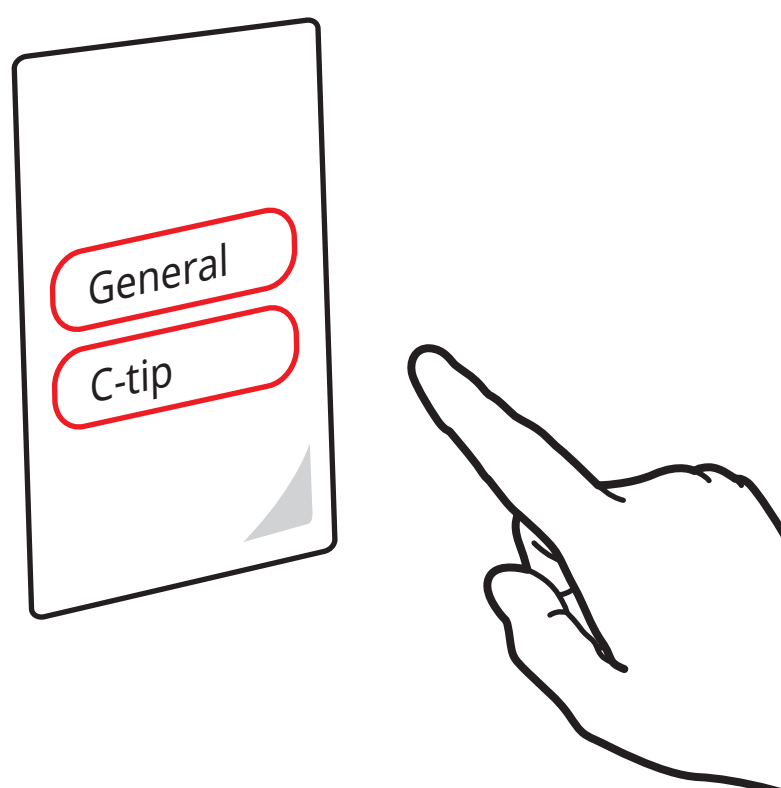
**4** Empty the tip box and tap "Reset".



**5** Insert the ID chip into the "ID chip port".



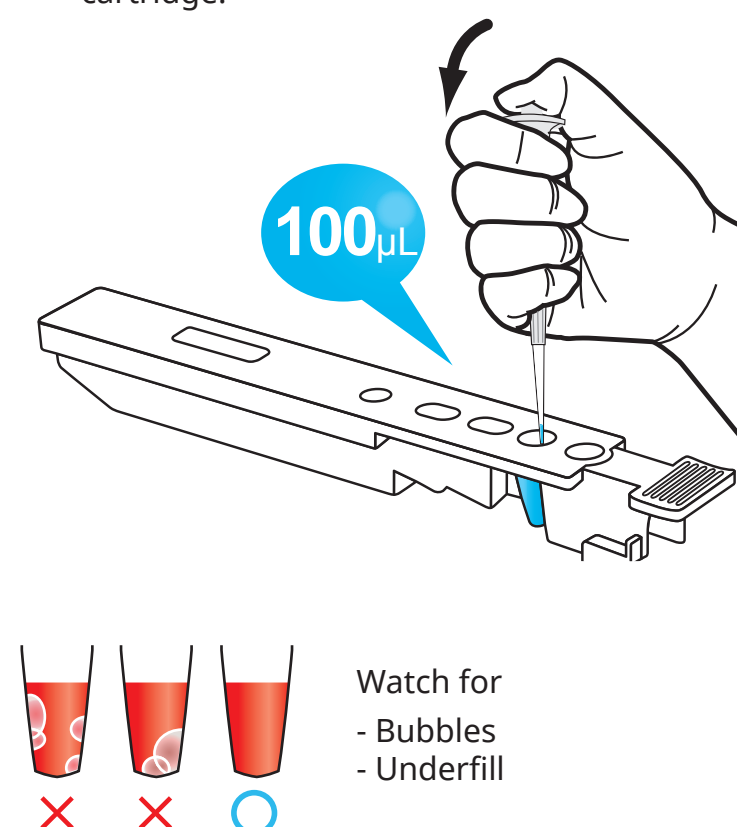
**6** Select either "General mode" or "C-tip mode".



## TEST PROCEDURE

### General mode

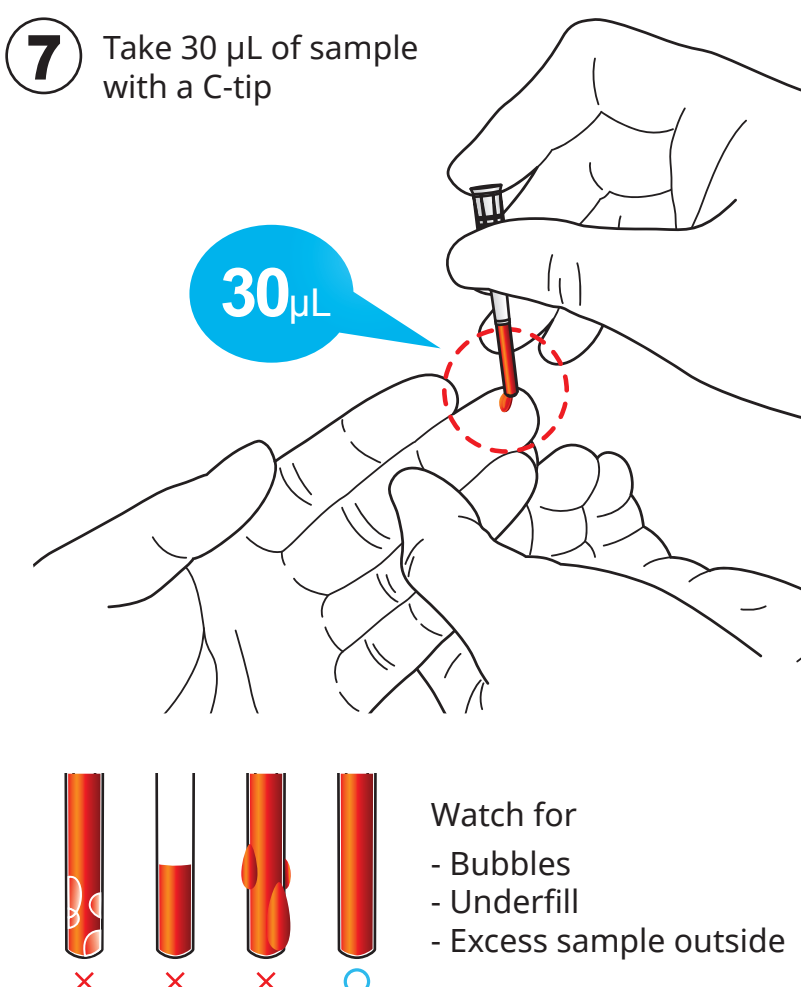
**7** Take 100  $\mu$ L of sample with a pipette and dispense it into the sample well on the cartridge.



Watch for  
- Bubbles  
- Underfill

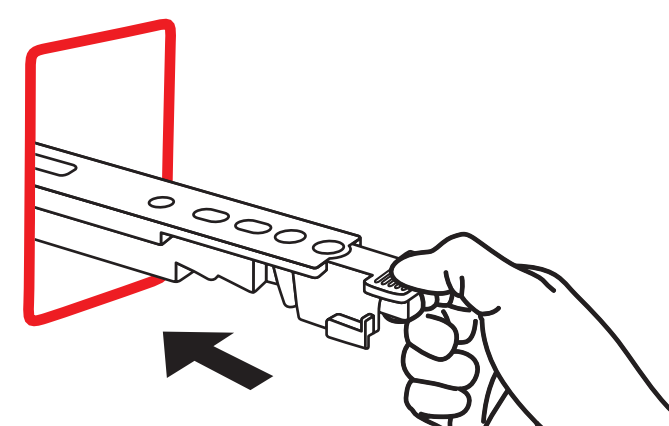
### C-tip mode

**7** Take 30  $\mu$ L of sample with a C-tip

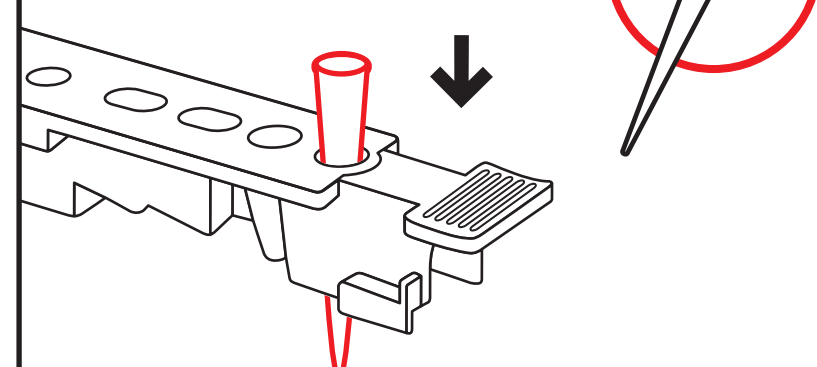


Watch for  
- Bubbles  
- Underfill  
- Excess sample outside

**8** Insert the cartridge fully into the cartridge holder.

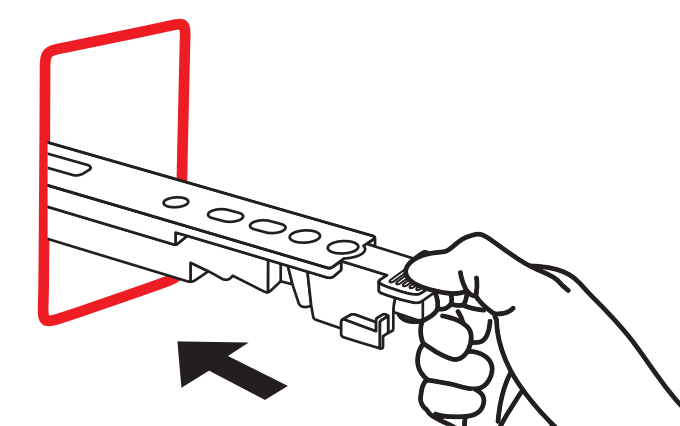


"Use provided tips only."

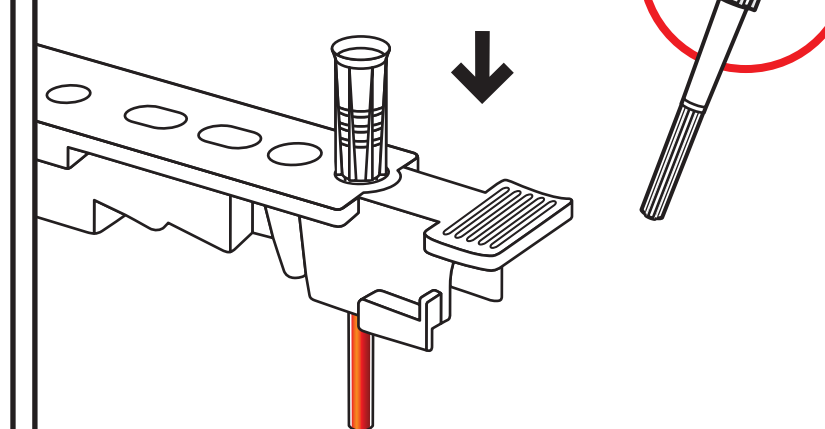


Insert a tip into the tip hole of the cartridge.

**8** Insert the cartridge fully into the cartridge holder.

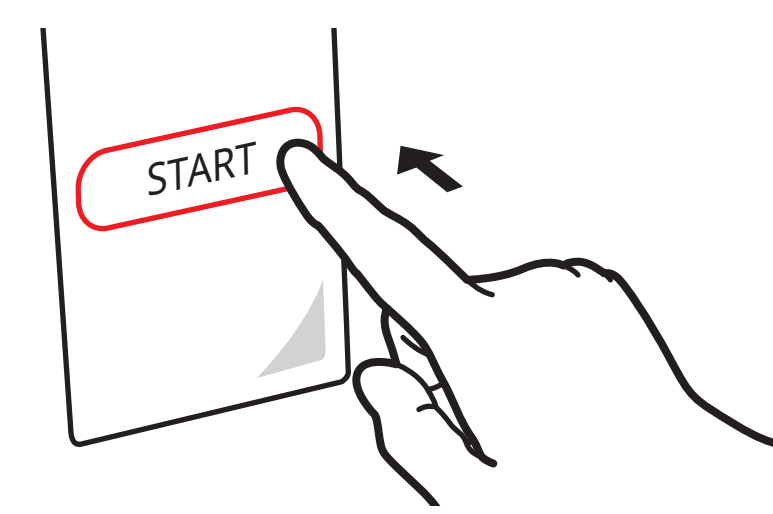


"Use provided tips only."



Insert a tip into the tip hole of the cartridge.

**9** To start the test, tap the 'START' icon on the screen.



The test result will be displayed on the screen in 12 minutes.

